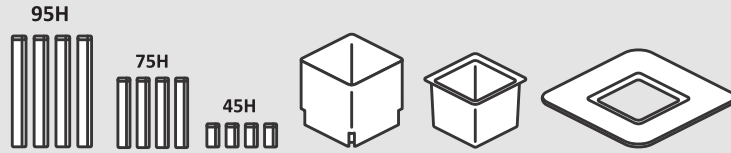
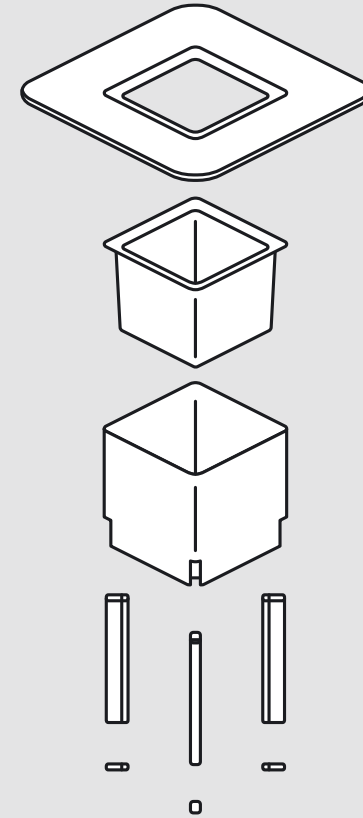
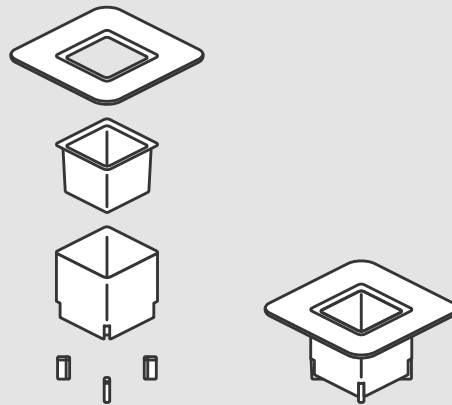
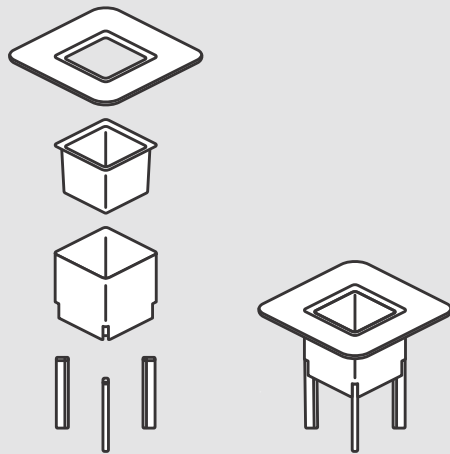
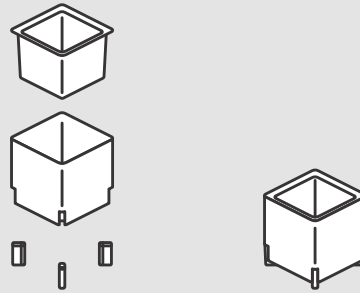
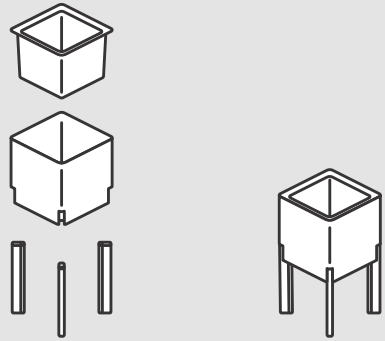


**MON  
DU  
M**



Composition



Mediterraneo Square 40 Modular Planter is composed by:

- Planter, Vol. 60L
- Planter Insert, Vol. 36L with Water Tank, Vol. 11L
- Modular Aluminium Legs, H45.

Optional:

- Modular Aluminium Legs, H45/75/95
- Square Table 80
- Water Level Indicator