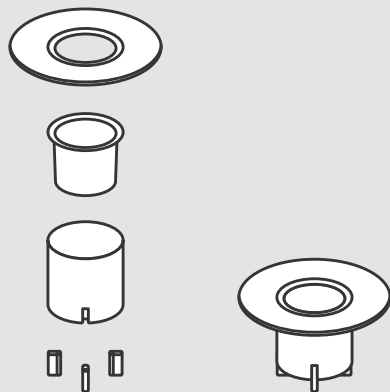
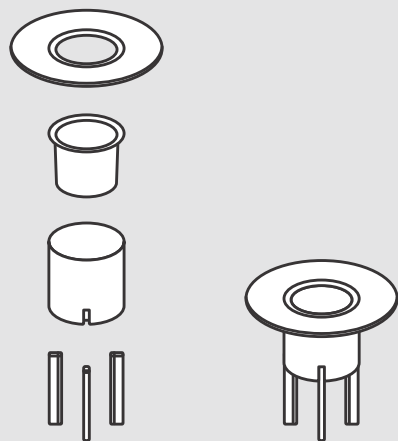
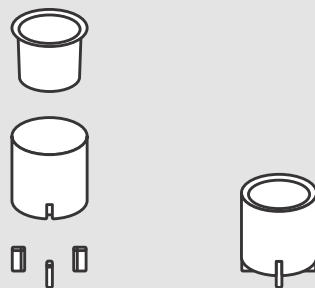
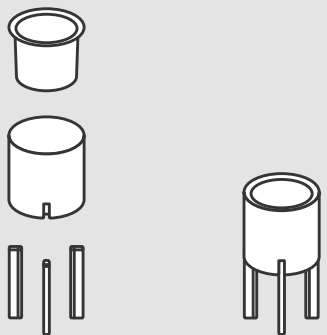
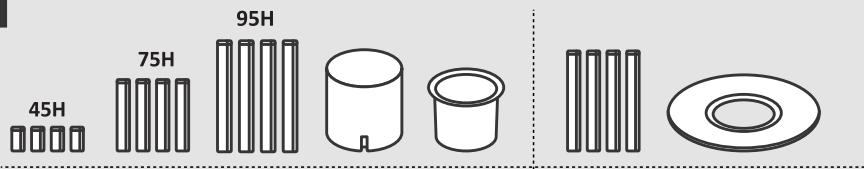
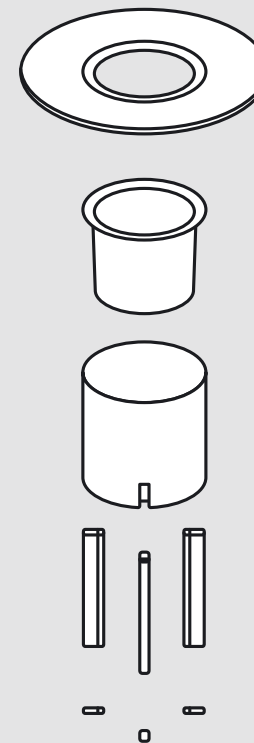


**MON
DU
M**



Composition



Mediterraneo Round 40, Modular Planter is composed by:

- Planter, Vol. 50L
- Planter Insert, Vol. 28L with Water Tank, Vol. 8L
- Modular Aluminium Legs, H45

Optional:

- Modular Aluminium Legs, H75/95
- Round Table D.80
- Water Level Indicator